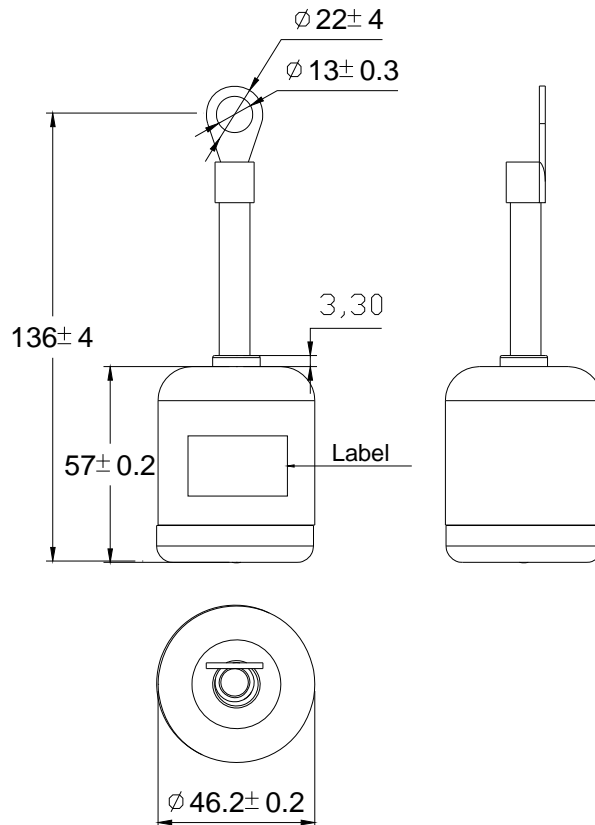




**Thousand Hundred Industrial CO.,LTD.**

Customer Part No.		Date Of Issue :	
T.H. Part No.	<b>HV46-15</b>	T.H. Sample No.	<b>8000B</b>

**Mechanical Dimensions in mm**



**Photo:**



**China:**

Tel : +86-769-83367090 Fax :+86-769-83367590  
E-mail:sales.th@thic.net www.thic.net

**Taiwan:**

Tel : +886-3-5994440 Fax:+886-3-5902243  
E-mail : ella@thic.net www.thic.net



# Thousand Hundred Industrial CO.,LTD.

Customer Part No.		Date Of Issue :	
T.H. Part No.	<b>HV46-15</b>	T.H. Sample No.	<b>8000B</b>

## Electrical Specifications

LED flashing type Isoelectric	
Apply Voltage AC (rms)	15~43KV
Nominal Voltage AC (rms)	15 KV
LED Colour	red
Power consumption	< 0.01 W
Operating temperature	-40~70°C

## Mechanical Specifications

CUP	PX9406
Approx. Weight	51g

### China:

Tel : +86-769-83367090 Fax :+86-769-83367590  
E-mail:sales.th@thic.net www.thic.net

### Taiwan:

Tel : +886-3-5994440 Fax:+886-3-5902243  
E-mail : ella@thic.net www.thic.net




# Thousand Hundred Industrial CO.,LTD.

Customer Part No.		Date Of Issue :	
T.H. Part No.	<b>HV46-15</b>	T.H. Sample No.	<b>8000B</b>

## Electrical Specifications

### Technic data(Single power test)

2KV Flash number	10KV Flash number	15KV Flash number	20KV Flash number	43KV Flash number	Illumination Current 1.2mA/50MM
1 Minute	1 Minute	1 Minute	1 Minute	1 Minute	LUX
≥4	≥49	≥74	≈126	≈260	≥30
typical					
'7	61	92	126	260	

Test Data							Photo:
100nF R-1VH	Times/1min						
	No.	2KV	10KV	15KV	20KV	43KV	
	1#	10.0	80.0	120.0	≈170	≈340	
	2#	11.0	86.0	138.0	≈170	≈340	
	3#	11.0	82.0	130.0	≈170	≈340	
4#	9.0	80.0	126.0	≈170	≈340		
AVE		10.25	82.0	128.5			

The presence of voltage will cause a cluster of 3 LED 's to flash in sequence ; at a lower voltage range, the flash sequence is slower .

<b>China:</b> Tel : +86-769-83367090 Fax :+86-769-83367590 E-mail:sales.th@thic.net www.thic.net	<b>Taiwan:</b> Tel : +886-3-5994440 Fax:+886-3-5902243 E-mail : ella@thic.net www.thic.net
--	--



# Thousand Hundred Industrial CO.,LTD.

Customer Part No.		Date Of Issue :	
T.H. Part No.	<b>HV46-15</b>	T.H. Sample No.	<b>8000B</b>

## UL of the material used

No.	ITEM	Part No.	UL Card	MATERIAL	NOTE
1	HOUSING	HSHV0462DG00 HSHV5295DG00	E115239	RX9406.PX9406X	
2	Clear lens	HSHV0473DG00	E121562	PC945	
3	WIRE	WR200RGS2U00	E201757	2UEW	
		WR060NGS2U01	E201757	2UEW	
4	PIN	PN2011DPCTH2	/		Φ2 mm * 104mm
5	SOLDER	CHSB9900JX00	/	99.3%	

## Packing ways

ITEMS	DIMENSIONS(mm)	Quantity
INTERNAL BOX	173*163*55-K3K	1*3
EXTERNAL BOX	395*370*330	20*3



### China:

Tel : +86-769-83367090 Fax :+86-769-83367590  
E-mail:sales.th@thic.net www.thic.net

### Taiwan:

Tel : +886-3-5994440 Fax:+886-3-5902243  
E-mail : ella@thic.net www.thic.net